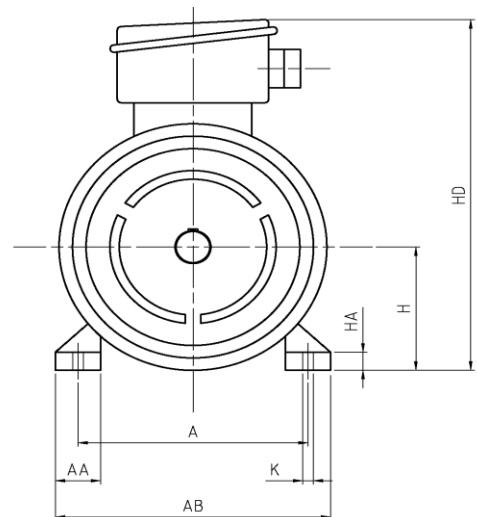
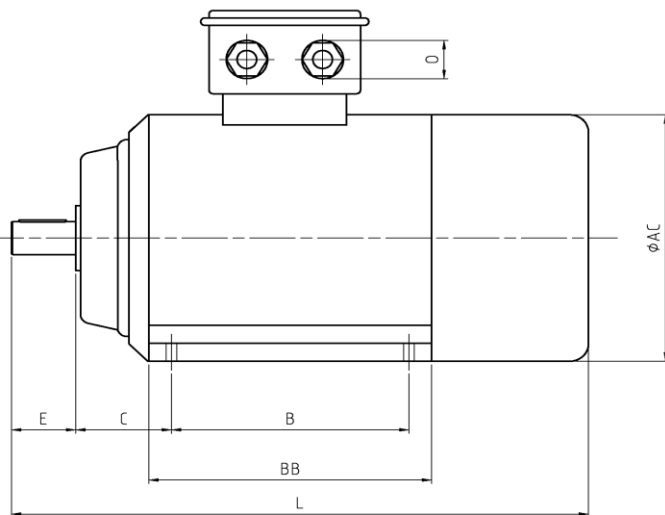


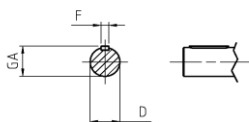
E.M.C. Electrical Motors Company -- ITALY --

MOTORI ASINCRONI 3-FASE / MOTEURS ASYNCHRONES 3-PHASES / 3-PHASE INDUCTION MOTORS

CONSTRUTTORE CONSTRUCTEUR MANUFACTURER	E.M.C.	GRANDEZZA & TIPO TAILLE & TYPE SIZE & TYPE	YE2-180L6 B3	QUANTITA' QUANTITE QUANTITY	1
POTENZA NOMINALE PUISSANCE NOMINALE NOMINAL POWER	15 kW	VELOCITA' VITESSE SPEED	980 Rpm	POLI POLES POLES	6
TENSIONE TENSION RATED VOLTAGE	400 V	FREQUENZA FREQUENCE FREQUENCY	50 Hz	SERVIZIO SERVICE SERVICE	S 1
CORRENTE NOMINALE COURANT NOMINAL RATED CURRENT	29,8 A	COPPIA NOMINALE COUPLE NOMINAL RATED TORQUE	146,00 Nm	MOMENTO INERZIA ROT. INERTIE ROTOR ROTOR INERTIA	0,20700 Kgm2
SOVRATEMPERATURA ECHAUFFEMENT TEMPERAURE RISE	B	CLASSE ISOLAMENTO CLASSE ISOLATION INSULATION CLASS	F	TEMP. AMBIENTE TEMP. AMBIANCE AMBIENT TEMP.	40 °C
FATTORE DI POTENZA FACTEUR de PUISSANCE POWER FACTOR	0,81	RENDIMENTO RENDEMENT EFFICIENCY	91 %	RUMOROSITA' Lp NOISE LEVEL Lp NOISE LEVEL Lp	73 dB(A)
Ma / Mn Md / Mn Ms / Mn	2	Mmax / Mn Mmax / Mn Mmax / Mn	2,1	Ia / In Id / In Is / In	7,2
FORMA COSTRUTTIVA FORME MOUNTING POSITION	B 3	PROTEZIONE IP PROTECTION IP ENCLOSURE IP	55	PESO POIDS WEIGHT	176 kG
TIPO CUSCINETTO TYPE de ROULEMENT BEARINGS TYPE	→	Lato Comando Cote Bout d'Arbre Drive End Side	6311	Lato Opposto Cote Ventilateur Non Drive End Side	6311
LUBRIFICAZ. GRASSO LUBRIFICATION GRAISSE LUBRIFICATION GREASE	LGHP - SKF	ORE HEURES HOURS	3500	RESIST.ANTICONDENSA RESIST.de RECHAUFFAGE SPACE HEATERS	-- V -- W
PROTEZIONE TERMICA PROTECTION THERMIQUE THERMAL PROTECTION	3 X PTC	NORME NORMES STANDARD	IEC	VENTILAZIONE ASSISTITA VENTILATION FORCEE' FORCES VENTIALTION	-- kW -- P.s -- A



OUTPUT SHAFT



Note :

- 1) --
- 2) --
- 3) --

Plan Code	B	A	AA	BB	AB	AC	H	L	HA	HD	K	O	C	D	E	GA	F
YE2-180L6	279	279	70	348	349	380	180	740	22	455	15	M 40	121	48	110	51,5	14

Motor Type	Kw	Rpm
YE2-180L6	15	980

Preliminary Technical Sheet

Revision : 1 Agosto 2015

YE2-180L6